

Copyright © 2021 SOLUM, All Rights reserved.

All rights reserved. No part of this product catalogue may be reproduced, distributed, or transmitted in any form or by any means, including photocopying, recording, or other electronic or mechanical methods, without the prior written permission of the copyright owner, except in the case of brief quotations embodied in critical reviews and certain other non-commercial uses permitted by copyright law.

# Oferă-ți o implementare de succes a sistemului de etichete inteligente de la **SOLUM**

Solution provider.

Plin Tech este partenerul strategic în măsura să ofere soluții avansate Auto/ID, Mobile, Wireless, Voice, RFID și sisteme de plăți electronice, companiilor din România și Europa de Est, și a fost creată pentru a răspunde numeroaselor provocări ale companiilor din regiune în optimizarea proceselor operaționale de la producție, logistica, până la distribuție.

## 01 APROVIZIONARE

- Soluții de e-collaboration
- Tracking pentru aprovizionări



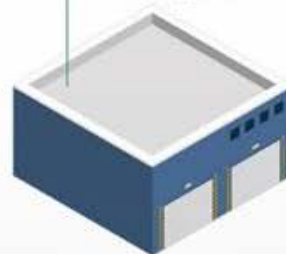
## 02 PRODUCTIE

- E-kanban
- Tracking & data collection
- Document management
- Mentenanța



## 03 MAGAZIE

- Voice solutions
- Light assisted solutions
- E-Commerce picking and packing solutions
- Document management
- WMS integration



## 04 DISTRIBUȚIE

- Track & Trace
- Proof Of Delivery
- Outdoor Data collection
- Document management
- Click&Collect



## 05 REVERSE LOGISTICS

- Sorting & Selection
- Restaurare produse



Compania este parte a grupului KFI, fondat în 1991 la Milano, leader în implementarea soluțiilor integrate pentru trasabilitatea și urmărirea tuturor fazelor supply chain.

Misiunea noastră este aceea de a conduce clienții noștri către succes, cu un aport de competențe, tehnologie inovativă și servicii în măsură să îmbunătățească eficiența, calitatea și productivitatea operațiunilor legate de urmărirea produselor, bunurilor și personalului.

Pentru a concretiza această abordare am creat o echipă specializată în realizarea proiectelor inovative, personalizate în funcție de cerințele clientului. O structură care colaborează cu cei mai importanți producători de tehnologie din lume și are experiență și autonomie pentru a putea indica și realiza cele mai bune soluții.

**Plin Tech – Soluții smart pentru optimizarea proceselor logistice!**

+40 749 136 746

office@plintech.ro

www.plintech.ro



### Newton Sub-Giga

Industrial applications rely on automation, feasibility and simplicity - properties that ensure increased productivity. Designed to be extra efficient and reliable in an industrial environment, our Newton Sub-Giga line-up ensures high modularity and adaptability to various industrial processes.

Our Sub-Giga line-up consists of electronic shelf labels operating at sub-giga speed. This allows for long working range, low interference data transmission, fast updates and data exchange - making it an ideal IoT solution in the industrial environment.

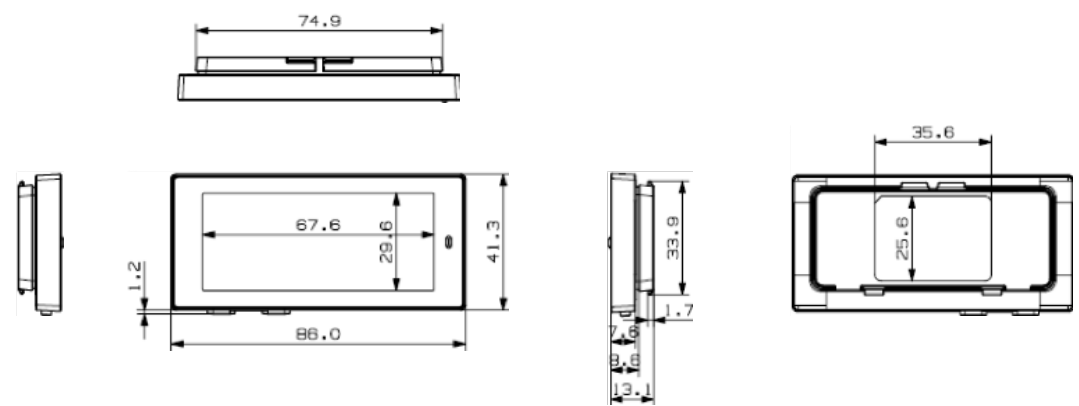
Available in Black/White/Red display, the Sub-Giga variant is also equipped with two programmable buttons and 7-color LED indicator



**DOWNLOAD LEAFLET**



# Technical Specifications



**Model**

W:EL029D3WRA/EEU  
B:EL029D3BRA/EEU

**Dimension (mm)**

86.0 × 41.3 × 13.1

**Active display area (mm)**

67.6 × 29.6

**Resolution (pixel)**

384 × 168

**Pixel density**

144 dpi

**Display technology**

Full Graphic E-ink Display

**Bezel color**

White or Black

**Pixels color**

BWR

**Viewing angle**

Nearly 180°

**Usable pages**

Up to 7 pages

**Operating temperature**

0 - 40°C

**Battery**

CR2450 × 2ea

**Battery lifetime**

Up To 5 years (2 Update/day)  
+ 3 years in 0°~10°

**Encryption**

128-Bit AES

**Compliance**

CE, RoHS, FCC

**NFC**

FeliCa NFC Forum Type 3

**Waterproof**

IP67

**Button**

2 Buttons

**LED**

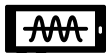
7 Colors (Red/Green/Blue/Yellow/Cyan/Magenta/White)

**ESL operating frequency**

Sub-Giga (863-868MHz)

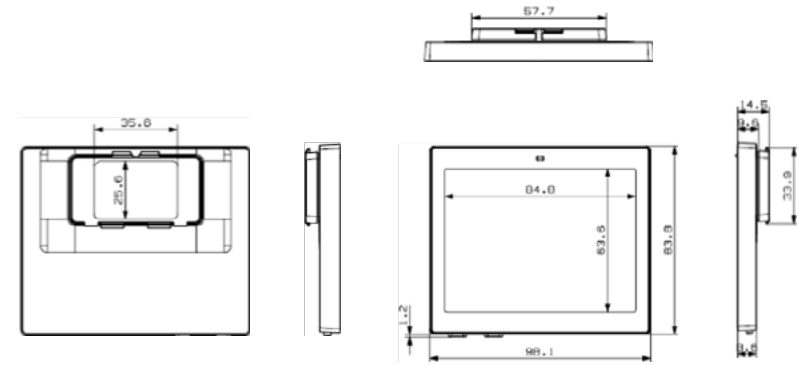
**Wireless firmware update**

Yes



2.9 sub-giga

# Technical Specifications



### Model

W:EL042D3WRA/EEU  
B:EL042D3BRA/EEU

### Dimension (mm)

98.1 × 83.8 × 14.5

### Active display area (mm)

84.8 × 63.6

### Resolution (pixel)

400 × 300

### Pixel density

120 dpi

### Display technology

Full Graphic E-ink Display

### Bezel color

White or Black

### Pixels color

BWR

### Viewing angle

Nearly 180°

### Usable pages

Up to 7 pages

### Operating temperature

0 - 40°C

### Battery

CR2450 × 2ea

### Battery lifetime

Up To 5 years (2 Update/day)  
+ 3 years in 0°~10°

### Encryption

128-Bit AES

### Compliance

CE, RoHS, FCC

### NFC

FeliCa NFC Forum Type 3

### Waterproof

IP67

### Button

2 Buttons

### LED

7 Colors (Red/Green/Blue/Yellow/Cyan/  
Magenta/White)

### ESL operating frequency

Sub-Giga (863-868MHz)

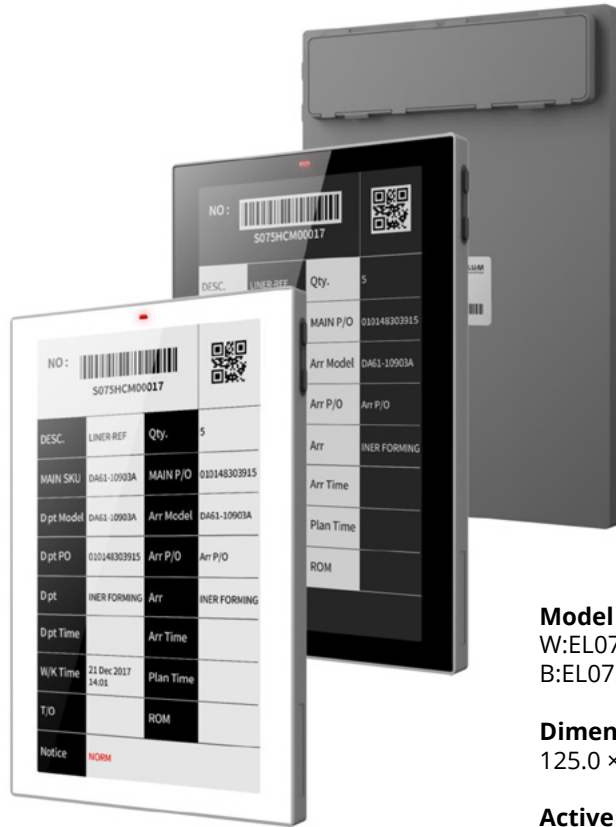
### Wireless firmware update

Yes



4.2 sub-giga

# Technical Specifications



**Model**  
W:EL075D3WRA/EEU  
B:EL075D3BRA/EEU

**Dimension (mm)**  
125.0 × 183.0 × 15.2

**Active display area (mm)**  
163.2 × 97.9

**Resolution (pixel)**  
800x480

**Pixel density**  
126 dpi

**Display technology**  
Full Graphic E-ink Display

**Bezel color**  
White or Black

**Pixels color**  
BWR

**Viewing angle**  
Nearly 180°

**Usable pages**  
Up to 3 pages

**Operating temperature**  
0 - 40°C

**Battery**  
CR2450 × 4ea

**Battery lifetime**  
Up To 5 years (1 Update/day)  
+ 3 years in 0°~10°

**Encryption**  
128-Bit AES

**Compliance**  
CE, RoHS, FCC

**NFC**  
FeliCa NFC Forum Type 3

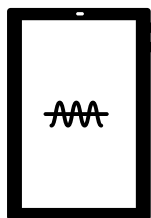
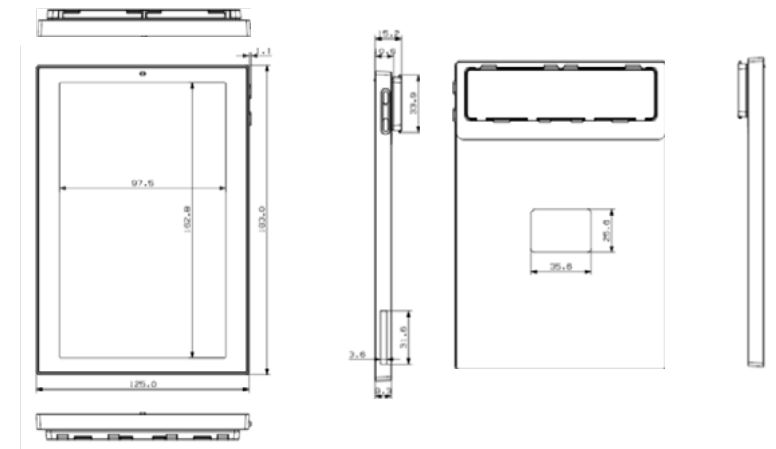
**Waterproof**  
IP67

**Button**  
2 Buttons

**LED**  
7 Colors (Red/Green/Blue/Yellow/Cyan/  
Magenta/White)

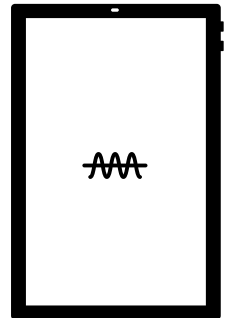
**ESL operating frequency**  
Sub-Giga (863-868MHZ)

**Wireless firmware update**  
Yes



7.5 sub-giga

# Technical Specifications



11.6 sub-giga

**Model**  
W:EL011D3WRA/EEU  
B:EL011D3BRA/EEU

**Dimension (mm)**  
192.0 × 268.0 × 21.9

**Active display area (mm)**  
163.0 × 244.5

**Resolution (pixel)**  
640 × 960

**Pixel density**  
100 dpi

**Display technology**  
Full Graphic E-ink Display

**Bezel color**  
White or Black

**Pixels color**  
BWR

**Viewing angle**  
Nearly 180°

**Usable pages**  
Up to 3 pages

**Operating temperature**  
0 - 40°C

**Battery**  
AA × 4ea

**Battery lifetime**  
Up To 5 years (1 Update/day)  
+ 3 years in 0°~10°

**Encryption**  
128-Bit AES

**Compliance**  
CE, RoHS, FCC

**NFC**  
FeliCa NFC Forum Type 3

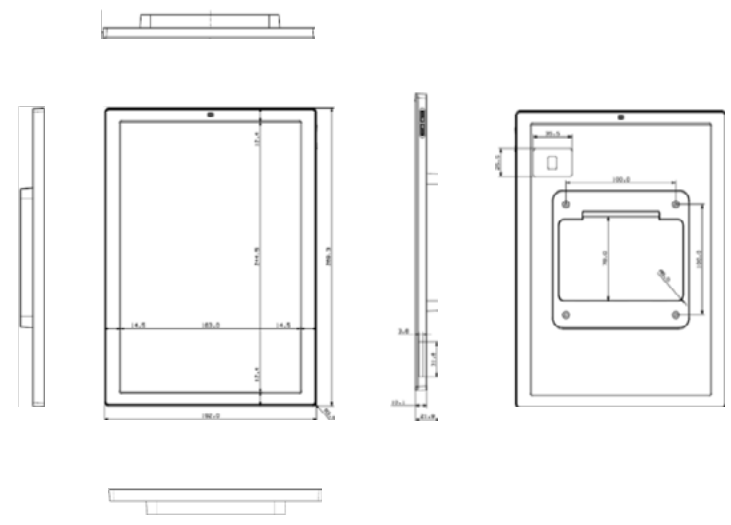
**Waterproof**  
IP67

**Button**  
2 Buttons

**LED**  
7 Colors (Red/Green/Blue/Yellow/Cyan/  
Magenta/White)

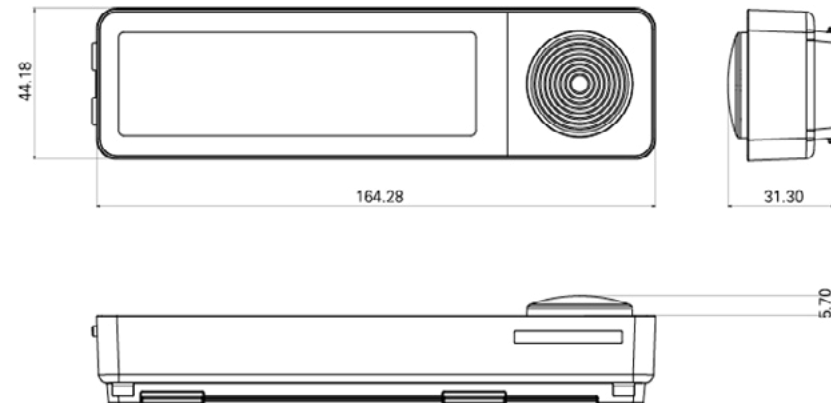
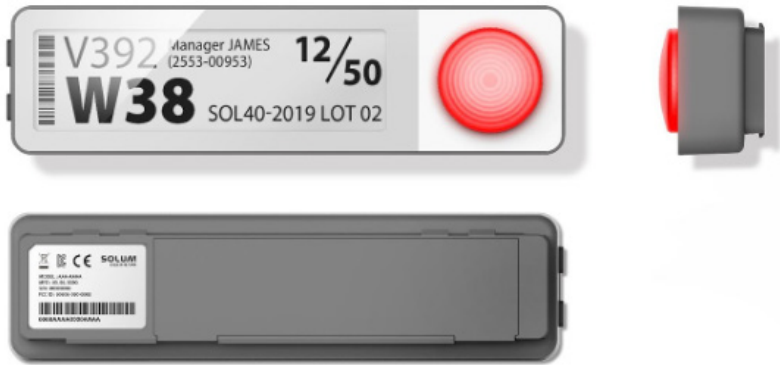
**ESL operating frequency**  
Sub-Giga (863-868MHz)

**Wireless firmware update**  
Yes





## Technical Specifications



Built specially for the industrial environment, the 4.3" LED Picking is an ESL with Sub-Giga operating frequency, allowing for fast and continuous data transmission and low power consumption.

With three programmable buttons, 5-year battery life, and multi-color LED, this label enables smarter manufacturing and distribution processes.



### 4.3 inch LED Picking

**Model**  
EU: EL043DWWRA/NUS

**Dimension (mm)**  
168.28 x 44.18 x 31.30

**Active display area (mm)**  
105.4 x 30.7

**Resolution (pixel)**  
522 x 152

**Pixel density**  
125 dpi

**Display technology**  
Full Graphic E-ink Display

**Bezel color**  
White

**Pixels color**  
BW / BWR

**Viewing angle**  
Nearly 180°

**Usable pages**  
Default: 3 pages, Optional: Up to 7 pages

**Operating temperature**  
0 ~ 40°C

**Battery**  
AA × 4ea

**Battery lifetime**  
Up To 5 years (2 Update & 100 led blinking/Day) \* 3 years in 0°~10°

**Encryption**  
128-Bit AES

**Compliance**  
CE, RoHS

**NFC**  
MiFARE® NFC Forum Type 2

**Waterproof**  
IP54

**Button**  
3 Buttons

**LED**  
7 Colors (Red/Green/Blue/Yellow/Cyan/Magenta/White)

**ESL operating frequency**  
Sub-Giga (EUROPE:863MHz~868MHz)

**Wireless firmware update**  
Yes

Copyright © 2021 SOLUM Product Catalogue, All Rights reserved.

All rights reserved. No part of this product catalogue may be reproduced, distributed, or transmitted in any form or by any means, including photocopying, recording, or other electronic or mechanical methods, without the prior written permission of the copyright owner, except in the case of brief quotations embodied in critical reviews and certain other non-commercial uses permitted by copyright law.



**SOLUM AMERICA INC.**

65 Challenger Rd, Ridgefield Park, New Jersey 07660, USA

**John Revie**

Senior Vice President of Sales

+1 (201) 407 4640

johnrevie@solu-m.com



**SOLUM EUROPE GMBH**

Am Kronberger Hang 8, 3rd Floor, Schwalbach am Taunus,  
Hessen 65824, Germany

**Stefan Voelkel**

Vice President of Sales

+49 (0) 162 296 3186

stefan.voelkel@solu-m.com

**Hyojin Lee**

Director Sales EMEA & Industrial

+49 (0) 170 9166857

hj4569.lee@solu-m.com



**SOLUM GROUP HEADQUARTER**

357 Guseong-ro, Yongin-si, Gyeonggi-do 16914, South Korea

**Kevin Jeong**

Sales & Marketing Group Leader

+82 010 5298 5852

jeongfanei@solu-m.com



**SOLUM TECHNOLOGIES INDIA PRIVATE LIMITED**

10th Floor, WeWork RMZ Latitude Commercial, Bellary Road,  
Hebbal, Bangalore, Karnataka, India

**Kevin Jeong**

jeongfanei@solu-m.com

**Ashok Soni**

ashok.soni@solu-m.com

+91-80-6177-0988

+91-80-6177-0989

**SOLUM**  
Solution provider.

[www.solumesl.com](http://www.solumesl.com)

[in company/solumesl/](https://www.linkedin.com/company/solumesl/)

[twitter SOLUMESL](https://twitter.com/SOLUMESL)

[f SOLUMESL](https://www.facebook.com/SOLUMESL)

[instagram @solumglobal](https://www.instagram.com/solumglobal)